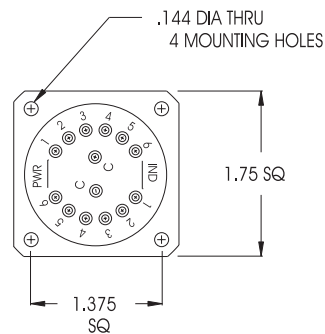
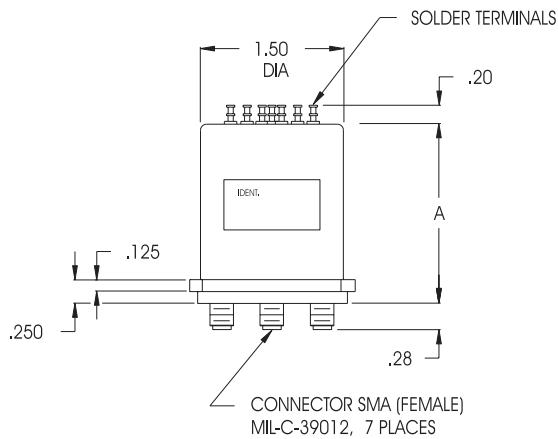


F3-F6 SERIES SP3T-SP6T DC - 26.5 GHz

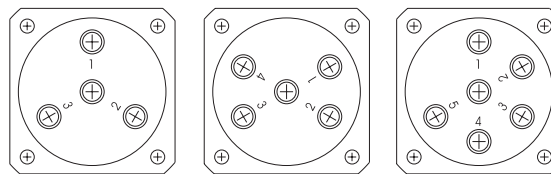
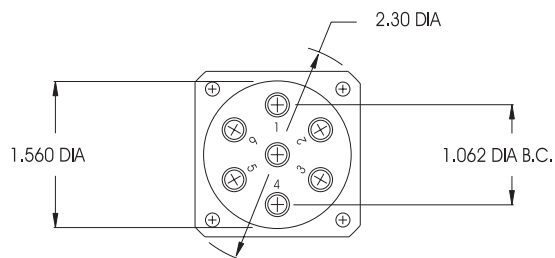


FREQUENCY: GHz	DC - 2.0	2.0 - 4.0	4.0 - 8.0	8.0 - 12.4	12.4 - 18.0	18.0 - 26.5
	1.20:1	1.20:1	1.25:1	1.30:1	1.40:1	1.50:1
	0.20	0.20	0.25	0.30	0.40	0.50
	90	80	80	70	60	60
IMPEDANCE	50 Ohms					
MECHANICAL						
CONTACT ACTUATOR SWITCHING SPEED			BREAK BEFORE MAKE MOMENTARY (NORMALLY OPEN) 20 mSEC MAX.			
ELECTRICAL						
ACTUATOR VOLTAGE ACTUATOR CURRENT POWER HANDLING			28.0, 12.0, 15.0, 24.0 Vdc SEE TABLE ON PAGE 13 200 WCW @ 1.0 GHz (STANDARD)			
ENVIRONMENTAL						
OPERATING TEMP			-40 DEG. C TO 90 DEG. C (STANDARD) -54 DEG. C TO 90 DEG. C (OPT./MS) **			
SINE VIBRATION			30 G'S ms			
RANDOM VIBRATION			20 G'S ms			
LIFE			1,000,000 CYCLES			
FINISH						
RF CAVITY			ALUMINUM ELECTROLESS NICKEL PLATED PER MIL-C-26074, CLASS 4 (EXCEPT LOW OR ULTRA LOW IM MODELS)			
ENCLOSURE			ALUMINUM, BLUE			
CONTACT			BERYLLIUM COPPER, GOLD PLATED PER MIL-G-45204			
CONNECTOR SHELL			CRES, PASSIVATED PER QQ-P-35 OR BRASS, ELECTROLESS NICKEL PLATED PER MIL-C-26074			
AVAILABLE OPTIONS						
INDICATOR CIRCUITRY			CUSTOM DESIGNS			
SUPPRESSION DIODE			MS CONNECTOR OR EQUIV. (MIL-SPEC)			
TTL LOGIC			LOW, ULTRA LOW, AND SUPERIOR INTERMODULATION (IM)			



"A" DIMENSION

- W/INDICATOR & TTL LOGIC = 2.15
- W/INDICATOR ONLY = 2.15
- W/TTL LOGIC ONLY = 1.80
- W/NO OPTIONS = 1.80
- CUSTOM HEIGHT AVAILABLE CONTACT CEI



F3

F4

F5

F3-F6