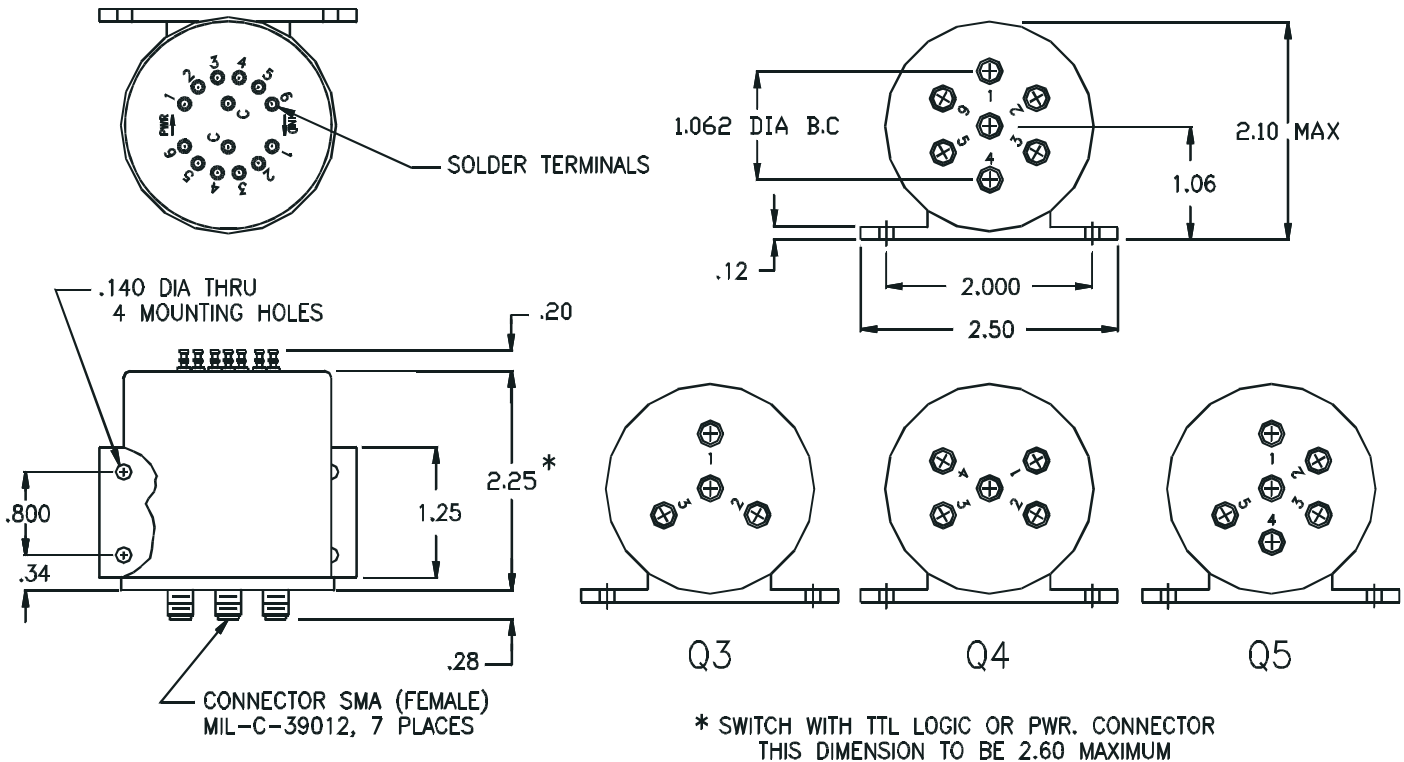


Q3 - Q6 SERIES SP3T - SP6T DC - 26.5 GHz

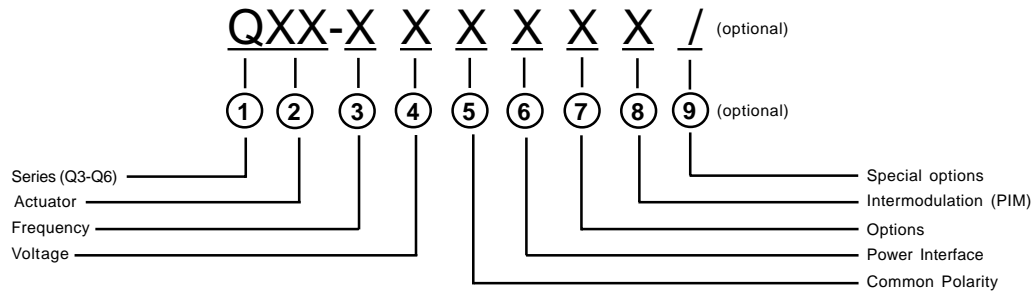
OPEN PORTS TERMINATED MOUNTING BRACKET



FREQUENCY: GHz	DC - 2.0	2.0 - 4.0	4.0 - 8.0	8.0 - 12.4	12.4 - 18.0	18.0 - 26.5
VSWR (MAX.)	1.20:1	1.25:1	1.30:1	1.40:1	1.50:1	1.65:1
INSERTION LOSS (MAX.)	0.20	0.25	0.30	0.40	0.50	0.70
ISOLATION (MIN.)	90	80	80	70	60	50
IMPEDANCE	50 Ohms					
MECHANICAL						
CONTACT	:	BREAK BEFORE MAKE				
ACTUATOR	:	FAILSAFE, LATCHING, MOMENTARY				
SWITCHING SPEED	:	20 mSEC MAX.				
ELECTRICAL						
ACTUATOR VOLTAGE	:	28.0, 12.0, 15.0, 24.0 Vdc				
ACTUATOR CURRENT	:	CONTACT CEI				
POWER HANDLING	:	200 WCW @ 1.0 GHz (STANDARD)				
TERMINATION	:	8 WATTS MAX.				
ENVIRONMENTAL						
OPERATING TEMP	:	-40 DEG. C TO 90 DEG. C (STANDARD)				
	:	-54 DEG. C TO 90 DEG. C (OPT. /MS) **				
SINE VIBRATION	:	30 G'S ms				
RANDOM VIBRATION	:	20 G'S ms				
LIFE	:	1,000,000 CYCLES				
FINISH						
RF CAVITY	:	ALUMINUM ELECTROLESS NICKEL PLATED PER MIL-C-26074, CLASS 4 (EXCEPT LOW OR ULTRA LOW IM MODELS)				
ENCLOSURE	:	ALUMINUM, BLUE OR BLACK				
CONTACT	:	BERYLLIUM COPPER, GOLD PLATED PER MIL-G-45204				
CONNECTOR SHELL	:	CRES, PASSIVATED PER QQ-P-35 OR BRASS, ELECTROLESS NICKEL PLATED PER MIL-C-26074				
AVAILABLE OPTIONS						
INDICATOR CIRCUITRY	:	CUT OFF POWER CIRCUIT				
SUPPRESSION DIODE	:	D'SUB MINIATURE SERIES				
TTL LOGIC	:	MS CONNECTOR OR EQUIV. (MIL-SPEC)				
	:	LOW, ULTRA LOW, AND SUPERIOR INTERMODULATION (IM)				



Q3-Q6 SERIES PART NUMBER & ORDERING INFORMATION

**1 - Switch Series**

Q3	SP3T TERMINATED SMA
Q4	SP4T TERMINATED SMA
Q5	SP5T TERMINATED SMA
Q6	SP6T TERMINATED SMA

2 - Actuator

F	FAILSAFE	R	MOMENTARY
G	FAILSAFE WITH SUPPRESSION DIODE	S	MOMENTARY WITH SUPPRESSION DIODE
H	FAILSAFE WITH INDICATOR	T	MOMENTARY WITH INDICATOR
J	FAILSAFE WITH SUPPRESSION DIODE AND INDICATOR	U	MOMENTARY WITH SUPPRESSION DIODE AND INDICATOR
L	LATCHING	Y	OTHER (SPECIFY)
M	LATCHING WITH SUPPRESSION DIODE		
N	LATCHING WITH INDICATOR		
P	LATCHING WITH SUPPRESSION DIODE AND INDICATOR		

3 - Frequency Bandwidth

1	DC - 13.0 GHz	6	DC - 6.0 GHz
2	DC - 2.0 GHz	7	DC - 26.5 GHz
3	DC - 12.4 GHz	8	DC - 20.0 GHz
4	DC - 4.0 GHz	0	OTHER (SPECIFY)
5	DC - 18.0 GHz		

4 - Voltage

1	10 - 14 Vdc (12.0 NOMINAL)	4	24 - 32 Vdc (28.0 NOMINAL)
2	13 - 18 Vdc (15.0 NOMINAL)	5	OTHER
3	20 - 30 Vdc (24.0 NOMINAL)	0	NOT REQUIRED

5 - Common Polarity

1	POSITIVE (+) COMMON
2	NEGATIVE (-) OR RETURN Vdc COMMON
0	NOT REQUIRED

6 - Power Interface

1	SOLDER TERMINAL (TOP OF SWITCH)	5	D' SUB MINIATURE SERIES (TOP OF SWITCH)
3	CONN MS3112E-XX-XXP OR EQUIV. (TOP OF SWITCH)	8	OTHER

7 - Options

1	CUT OFF POWER CIRCUIT (LATCHING ONLY)	8	OTHER (SPECIFY)
2	TTL LOGIC	9	CUSTOM (ORDER)
3	CUT OFF PWR CIRCUIT & TTL LOGIC (LATCHING ONLY)	0	NO OTHER OPTIONS REQUIRED

8 - Intermodulation

7	LOW PASSIVE INTERMODULATION	9	ULTRA LOW PASSIVE INTERMODULATION
8	SUPERIOR PASSIVE INTERMODULATION	0	STANDARD SWITCH

9 - Special Options (optional - leave blank if not required)

/P	HIGH TEMP, HIGH POWER CONNECTOR
/MS	EXTENDED TEMP RANGE -54 DEG C TO + 90 DEG
/MSP	HIGH TEMP, HIGH POWER CONNECTOR AND EXTENDED TEMP RANGE