

B70 SERIES SPDT - 5 PORT DC - 26.5 GHz EXTERNALLY TERMINATED

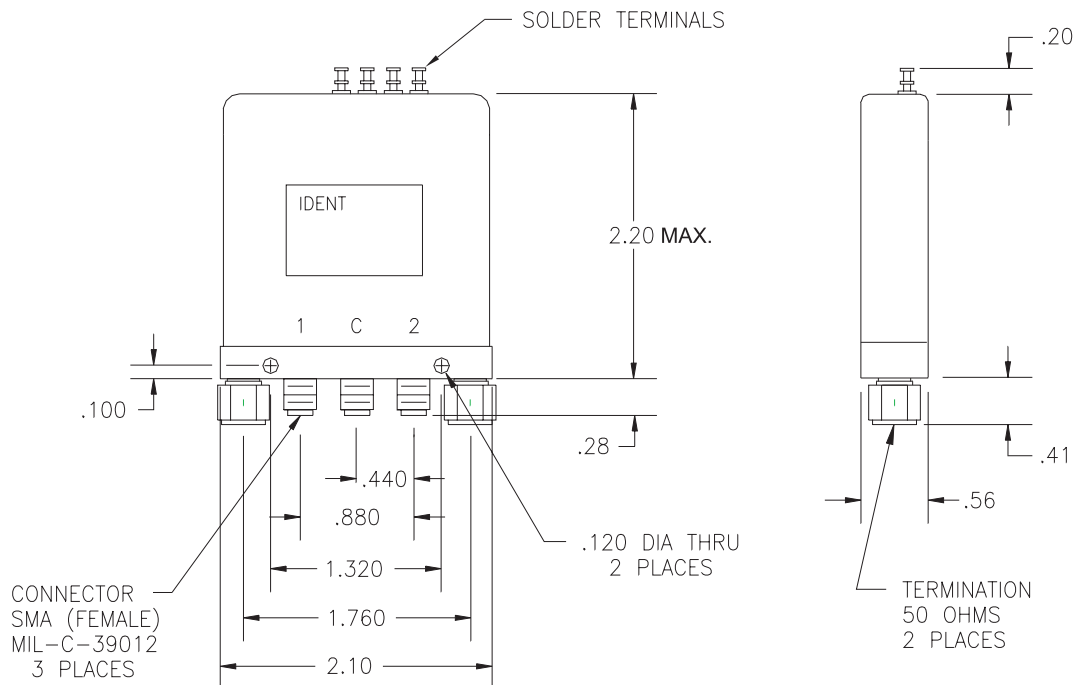


FREQUENCY: GHz	DC - 2.0	2.0 - 4.0	4.0 - 8.0	8.0 - 12.4	12.4 - 18.0	18.0 - 26.5
VSWR (MAX.)	1.20:1	1.25:1	1.30:1	1.40:1	1.50:1	1.65:1
INSERTION LOSS (MAX.)	0.20	0.25	0.30	0.40	0.50	0.70
ISOLATION (MIN.)	90	80	80	70	60	50
IMPEDANCE	50 Ohms					
MECHANICAL						
CONTACT ACTUATOR SWITCHING SPEED	: BREAK BEFORE MAKE : FAILSAFE, LATCHING, MOMENTARY : 20 mSEC MAX.					
ELECTRICAL						
ACTUATOR VOLTAGE ACTUATOR CURRENT POWER HANDLING TERMINATION	: 28.0, 12.0, 15.0, 24.0 Vdc : CONTACT CEI : 200 WCW @ 1.0 GHz (STANDARD) : 300 WCW @ 1.0 GHz (OPT. /P) : 1W EXTERNAL (2) INCLUDED					
ENVIRONMENTAL						
OPERATING TEMP SHOCK RANDOM VIBRATION LIFE	: -40 DEG. C TO 85 DEG. C (STANDARD) : -54 DEG. C TO 90 DEG. C (OPT. /MS) : 50 G's (SAWTOOTH) : 15 G's rms (NON-OPERATING) : 1,000,000 CYCLES					
FINISH						
RF CAVITY ENCLOSURE CONTACT CONNECTOR SHELL NOTE	: ALUMINUM ELECTROLESS NICKEL PLATED : PER MIL-C-26074, CLASS 4 : (EXCEPT LOW OR ULTRA LOW IM MODELS) : ALUMINUM, BLUE OR BLACK : BERYLLIUM COPPER, GOLD PLATED : PER MIL-G-45204 : CRES, PASSIVATED PER QQ-P-35 OR BRASS, : ELECTROLESS NICKEL PLATED : PER MIL-C-26074 : FINISH MAY VARY FOR /MS VERSION					
AVAILABLE OPTIONS						
INDICATOR CIRCUITRY SUPPRESSION DIODE TTL LOGIC LOW, ULTRA LOW, AND SUPERIOR INTERMODULATION (IM)	: CUT OFF POWER CIRCUIT : D'SUB MINIATURE SERIES : MS CONNECTOR OR EQUIV. (MIL-SPEC) : LOW, ULTRA LOW, AND SUPERIOR INTERMODULATION (IM)					

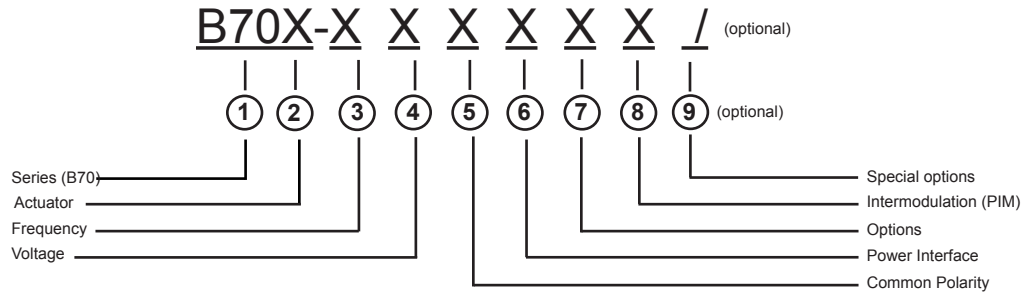
REFERENCE FOR DIMENSIONS ONLY.
EACH MODEL NUMBER WILL
HAVE A UNIQUE SCHEMATIC.



EXAMPLE ONLY (EACH SCHEMATIC IS UNIQUE)
ALSO AVAILABLE
WITH D'SUB CONNECTOR



B70 SERIES PART NUMBER & ORDERING INFORMATION

**1 - Switch Series**

B70 SPDT EXTERNALLY TERMINATED SMA

2 - Actuator

F	FAILSAFE	R	MOMENTARY
G	FAILSAFE WITH SUPPRESSION DIODE	S	MOMENTARY WITH SUPPRESSION DIODE
H	FAILSAFE WITH INDICATOR	T	MOMENTARY WITH INDICATOR
J	FAILSAFE WITH SUPPRESSION DIODE AND INDICATOR	U	MOMENTARY WITH SUPPRESSION DIODE AND INDICATOR
L	LATCHING	Y	OTHER (SPECIFY)
M	LATCHING WITH SUPPRESSION DIODE		
N	LATCHING WITH INDICATOR		
P	LATCHING WITH SUPPRESSION DIODE AND INDICATOR		

3 - Frequency Bandwidth

1	DC - 13.0 GHz	6	DC - 6.0 GHz
2	DC - 2.0 GHz	7	DC - 26.5 GHz
3	DC - 12.4 GHz	8	DC - 20.0 GHz
4	DC - 4.0 GHz	0	OTHER (SPECIFY)
5	DC - 18.0 GHz		

4 - Voltage

1	10 - 14 Vdc (12.0 NOMINAL)	4	26 - 30 Vdc (28.0 NOMINAL)
2	13 - 17 Vdc (15.0 NOMINAL)	5	OTHER
3	22 - 26 Vdc (24.0 NOMINAL)	0	NOT REQUIRED

5 - Common Polarity

1	POSITIVE (+) COMMON
2	NEGATIVE (-) OR RETURN Vdc COMMON
0	NOT REQUIRED

6 - Power Interface

1	SOLDER TERMINAL (TOP OF SWITCH)	5	D' SUB MINIATURE SERIES (TOP OF SWITCH)
		8	OTHER

7 - Options

1	CUT OFF POWER CIRCUIT (LATCHING ONLY)	8	OTHER (SPECIFY)
2	TTL LOGIC	9	CUSTOM (ORDER)
3	CUT OFF PWR CIRCUIT & TTL LOGIC (LATCHING ONLY)	0	NO OTHER OPTIONS REQUIRED
4	BCD TTL DECODER		

8 - Intermodulation

7	LOW PASSIVE INTERMODULATION	9	ULTRA LOW PASSIVE INTERMODULATION
8	SUPERIOR PASSIVE INTERMODULATION	0	STANDARD SWITCH

9 - Special Options (optional - leave blank if not required)

/P	HIGH TEMP, HIGH POWER CONNECTOR
/MS	EXTENDED TEMP RANGE -54 DEG C TO +90 DEG C
/MSP	HIGH TEMP, HIGH POWER CONNECTOR AND EXTENDED TEMP RANGE