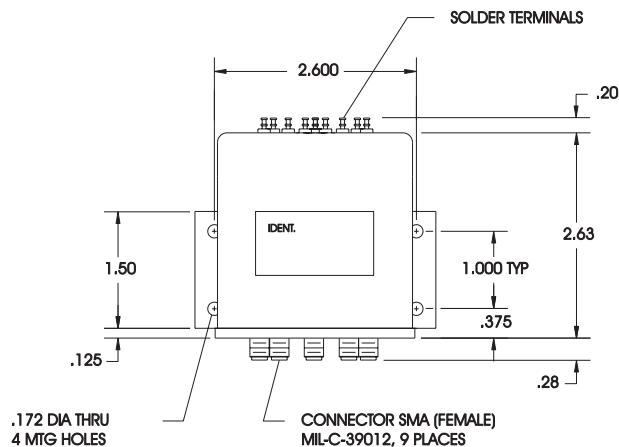


O8 SERIES SP7T-SP8T DC - 18.0 GHz

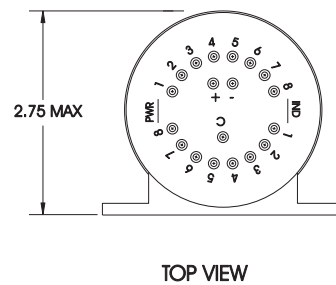
**OPEN PORTS TERMINATED
& MOUNTING BRACKET**



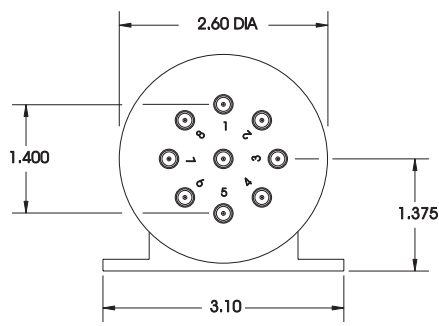
FREQUENCY: GHz	DC - 2.0	2.0 - 4.0	4.0 - 8.0	8.0 - 12.4	12.4 - 18.0
VSWR (MAX.)	1.20:1	1.25:1	1.30:1	1.40:1	1.60:1
INSERTION LOSS (MAX.)	0.20	0.25	0.30	0.40	0.70
ISOLATION (MIN.)	90	80	80	70	60
IMPEDANCE	50 Ohms				
MECHANICAL					
CONTACT	:	BREAK BEFORE MAKE			
ACTUATOR	:	FAILSAFE, LATCHING, MOMENTARY			
SWITCHING SPEED	:	20 mSEC MAX.			
ELECTRICAL					
ACTUATOR VOLTAGE	:	28.0, 24.0, 15.0, 12.0 Vdc			
ACTUATOR CURRENT	:	SEE TABLE			
POWER HANDLING	:	200 WCW @ 1.0 GHz (STANDARD) 300 WCW @ 1.0 GHz (OPT. /P)			
TERMINATION	:	8 WATTS MAX.			
ENVIRONMENTAL					
OPERATING TEMP	:	-40 DEG. C TO 85 DEG. C (STANDARD)			
SHOCK	:	50 G's (SAWTOOTH)			
RANDOM VIBRATION	:	15 G's rms (NON-OPERATING)			
LIFE	:	1,000,000 CYCLES			
FINISH					
RF CAVITY	:	ALUMINUM ELECTROLESS NICKEL PLATED PER MIL-C-26074, CLASS 4 (EXCEPT ULTRA LOW OR SUP. IM MODELS)			
ENCLOSURE	:	ALUMINUM, BLUE			
CONTACT	:	BERYLLIUM COPPER, GOLD PLATED PER MIL-G-45204			
CONNECTOR SHELL	:	CRES, PASSIVATED PER QQ-P-35 OR BRASS, ELECTROLESS NICKEL PLATED PER MIL-C-26074			
AVAILABLE OPTIONS					
INDICATOR CIRCUITRY	:	CUT OFF POWER CIRCUIT			
SUPPRESSION DIODE	:	D' SUB MINIATURE SERIES			
TTL LOGIC	:	CUSTOM DESIGNS			
LOW, ULTRA LOW, OR SUPERIOR INTERMODULATION (IM)	:				



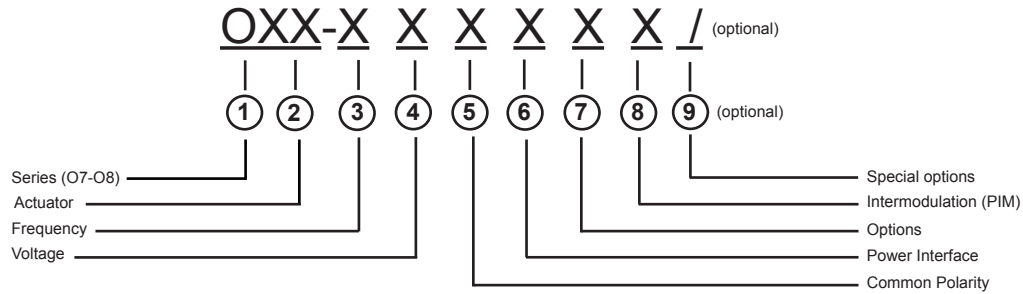
NOTE: REFERENCE FOR DIMENSIONS ONLY.
EACH MODEL NUMBER WILLHAVE A UNIQUE SCHEMATIC.
ALSO AVAILABLE WITH A D'SUB, MICRO D'SUB OR MS SERIES CONNECTOR.



NOTE: SWITCH SHOWN WITH INDICATOR OPTION



07-08 SERIES PART NUMBER & ORDERING INFORMATION

**1 - Switch Series**

O7	SP7T SMA
O8	SP8T SMA

2 - Actuator

F	FAILSAFE	R	MOMENTARY
G	FAILSAFE WITH SUPPRESSION DIODE	S	MOMENTARY WITH SUPPRESSION DIODE
H	FAILSAFE WITH INDICATOR	T	MOMENTARY WITH INDICATOR
J	FAILSAFE WITH SUPPRESSION DIODE AND INDICATOR	U	MOMENTARY WITH SUPPRESSION DIODE AND INDICATOR
L	LATCHING	Y	OTHER (SPECIFY)
M	LATCHING WITH SUPPRESSION DIODE		
N	LATCHING WITH INDICATOR		
P	LATCHING WITH SUPPRESSION DIODE AND INDICATOR		

3 - Frequency Bandwidth

1	DC - 13.0 GHz	6	DC - 6.0 GHz
2	DC - 2.0 GHz	0	OTHER (SPECIFY)
3	DC - 12.4 GHz		
4	DC - 4.0 GHz		
5	DC - 18.0 GHz		

4 - Voltage

1	10 - 14 Vdc (12.0 NOMINAL)	4	26 - 30 Vdc (28.0 NOMINAL)
2	13 - 17 Vdc (15.0 NOMINAL)	5	OTHER
3	22 - 26 Vdc (24.0 NOMINAL)	0	NOT REQUIRED

5 - Common Polarity

1	POSITIVE (+) COMMON
2	NEGATIVE (-) OR RETURN Vdc COMMON
0	NOT REQUIRED

6 - Power Interface

1	SOLDER TERMINAL (TOP OF SWITCH)	5	D' SUB MINIATURE SERIES (TOP OF SWITCH)
3	CONN MS3112E-XX-XXP OR EQUIV. (TOP OF SWITCH)	8	OTHER

7 - Options

1	CUT OFF POWER CIRCUIT (LATCHING ONLY)	8	OTHER (SPECIFY)
2	TTL LOGIC	9	CUSTOM (ORDER)
3	CUT OFF PWR CIRCUIT & TTL LOGIC (LATCHING ONLY)	0	NO OTHER OPTIONS REQUIRED
4	BCD TTL DECODER		

8 - Intermodulation

7	LOW PASSIVE INTERMODULATION	9	ULTRA LOW PASSIVE INTERMODULATION
8	SUPERIOR PASSIVE INTERMODULATION	0	STANDARD SWITCH

9 - Special Options (optional - leave blank if not required)

/P	HIGH TEMP, HIGH POWER CONNECTOR
----	---------------------------------