

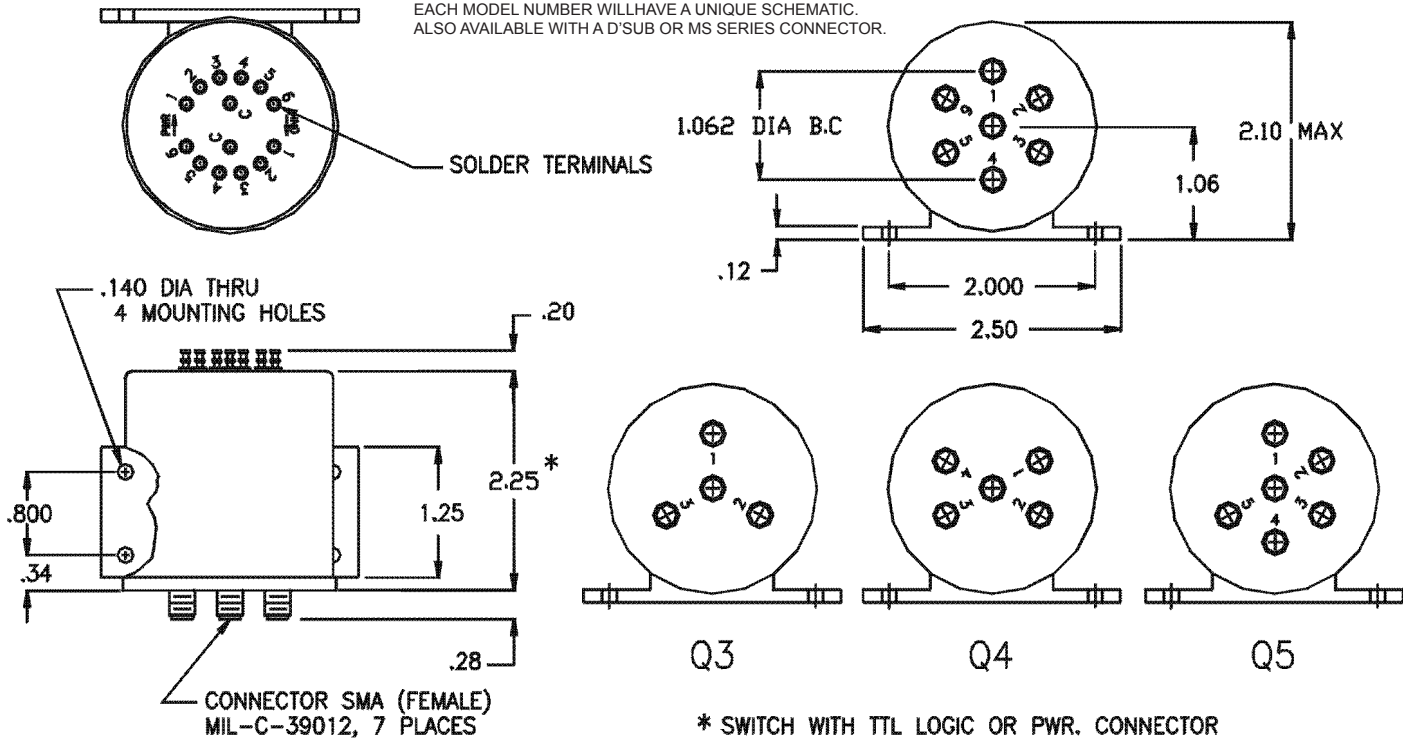
Q3 - Q6 SERIES SP3T - SP6T DC - 26.5 GHz

OPEN PORTS TERMINATED MOUNTING BRACKET

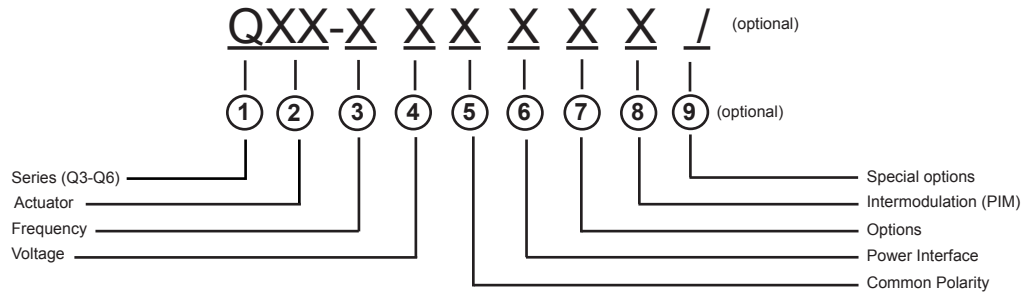


FREQUENCY: GHz	DC - 2.0	2.0 - 4.0	4.0 - 8.0	8.0 - 12.4	12.4 - 18.0	18.0 - 26.5
VSWR (MAX.)	1.20:1	1.25:1	1.30:1	1.40:1	1.50:1	1.65:1
INSERTION LOSS (MAX.)	0.20	0.25	0.30	0.40	0.50	0.70
ISOLATION (MIN.)	90	80	80	70	60	50
IMPEDANCE	50 Ohms					
MECHANICAL						
CONTACT ACTUATOR SWITCHING SPEED	BREAK BEFORE MAKE FAILSAFE, LATCHING, MOMENTARY 20 mSEC MAX.					
ELECTRICAL						
ACTUATOR VOLTAGE ACTUATOR CURRENT POWER HANDLING TERMINATION	28.0, 12.0, 15.0, 24.0 Vdc CONTACT CEI 200 WCW @ 1.0 GHz (STANDARD) 300 WCW @ 1.0 GHz (OPT /P) 8 WATTS MAX.					
ENVIRONMENTAL						
OPERATING TEMP SHOCK RANDOM VIBRATION LIFE	-40 DEG. C TO 85 DEG. C (STANDARD) 50 G's (SAWTOOTH) 15 G's rms (NON-OPERATING) 1,000,000 CYCLES					
FINISH						
RF CAVITY ENCLOSURE CONTACT CONNECTOR SHELL	ALUMINUM ELECTROLESS NICKEL PLATED PER MIL-C-26074, CLASS 4 (EXCEPT LOW OR ULTRA LOW IM MODELS) ALUMINUM, BLUE OR BLACK BERYLLIUM COPPER, GOLD PLATED PER MIL-G-45204 CRES, PASSIVATED PER QQ-P-35 OR BRASS, ELECTROLESS NICKEL PLATED PER MIL-C-26074					
AVAILABLE OPTIONS						
INDICATOR CIRCUITRY SUPPRESSION DIODE TTL LOGIC LOW, ULTRA LOW, AND SUPERIOR INTERMODULATION (IM)	CUT OFF POWER CIRCUIT D'SUB MINIATURE SERIES MS CONNECTOR OR EQUIV. (MIL-SPEC) MS CONNECTOR OR EQUIV. (MIL-SPEC)					

NOTE: REFERENCE FOR DIMENSIONS ONLY.
EACH MODEL NUMBER WILL HAVE A UNIQUE SCHEMATIC.
ALSO AVAILABLE WITH A D'SUB OR MS SERIES CONNECTOR.



Q3-Q6 SERIES PART NUMBER & ORDERING INFORMATION

**1 - Switch Series**

Q3	SP3T TERMINATED SMA
Q4	SP4T TERMINATED SMA
Q5	SP5T TERMINATED SMA
Q6	SP6T TERMINATED SMA

2 - Actuator

F	FAILSAFE	R	MOMENTARY
G	FAILSAFE WITH SUPPRESSION DIODE	S	MOMENTARY WITH SUPPRESSION DIODE
H	FAILSAFE WITH INDICATOR	T	MOMENTARY WITH INDICATOR
J	FAILSAFE WITH SUPPRESSION DIODE AND INDICATOR	U	MOMENTARY WITH SUPPRESSION DIODE AND INDICATOR
L	LATCHING	Y	OTHER (SPECIFY)
M	LATCHING WITH SUPPRESSION DIODE		
N	LATCHING WITH INDICATOR		
P	LATCHING WITH SUPPRESSION DIODE AND INDICATOR		

3 - Frequency Bandwidth

1	DC - 13.0 GHz	6	DC - 6.0 GHz
2	DC - 2.0 GHz	7	DC - 26.5 GHz
3	DC - 12.4 GHz	8	DC - 20.0 GHz
4	DC - 4.0 GHz	0	OTHER (SPECIFY)
5	DC - 18.0 GHz		

4 - Voltage

1	10 - 14 Vdc (12.0 NOMINAL)	4	26 - 30 Vdc (28.0 NOMINAL)
2	13 - 17 Vdc (15.0 NOMINAL)	5	OTHER
3	22 - 26 Vdc (24.0 NOMINAL)	0	NOT REQUIRED

5 - Common Polarity

1	POSITIVE (+) COMMON
2	NEGATIVE (-) OR RETURN Vdc COMMON
0	NOT REQUIRED

6 - Power Interface

1	SOLDER TERMINAL (TOP OF SWITCH)	5	D' SUB MINIATURE SERIES (TOP OF SWITCH)
3	CONN MS3112E-XX-XXP OR EQUIV. (TOP OF SWITCH)	8	OTHER

7 - Options

1	CUT OFF POWER CIRCUIT (LATCHING ONLY)	8	OTHER (SPECIFY)
2	TTL LOGIC	9	CUSTOM (ORDER)
3	CUT OFF PWR CIRCUIT & TTL LOGIC (LATCHING ONLY)	0	NO OTHER OPTIONS REQUIRED
4	BCD TTL DECODER		

8 - Intermodulation

7	LOW PASSIVE INTERMUDULATION	9	ULTRA LOW PASSIVE INTERMODULATION
8	SUPERIOR PASSIVE INTERMODULATION	0	STANDARD SWITCH

9 - Special Options (optional - leave blank if not required)

/P	HIGH TEMP, HIGH POWER CONNECTOR
----	---------------------------------