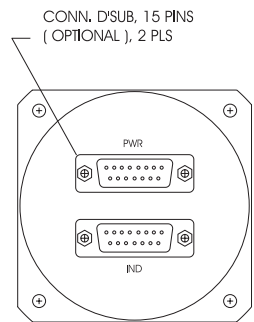
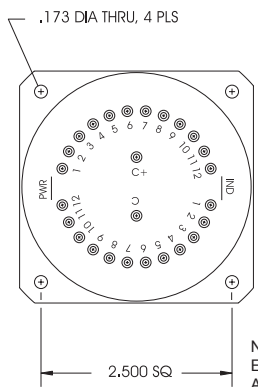
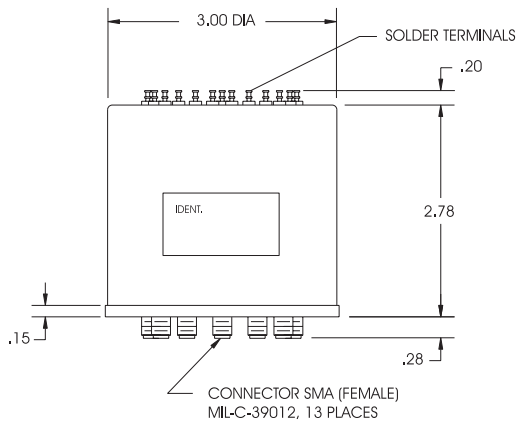


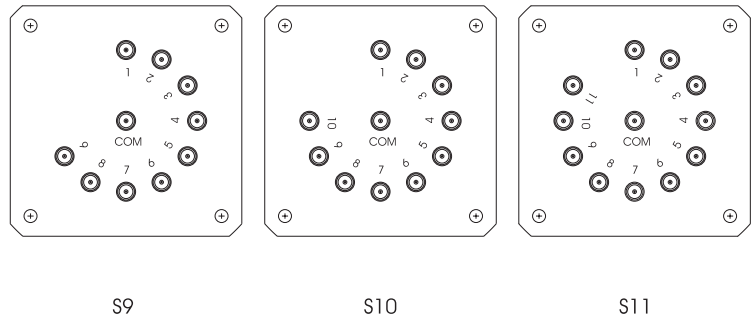
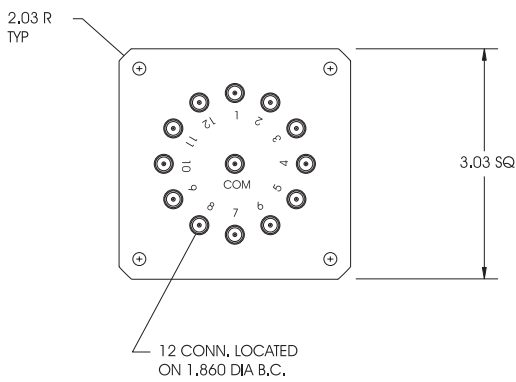
S9 - S12 SERIES SP9T - SP12T DC - 15.0 GHz



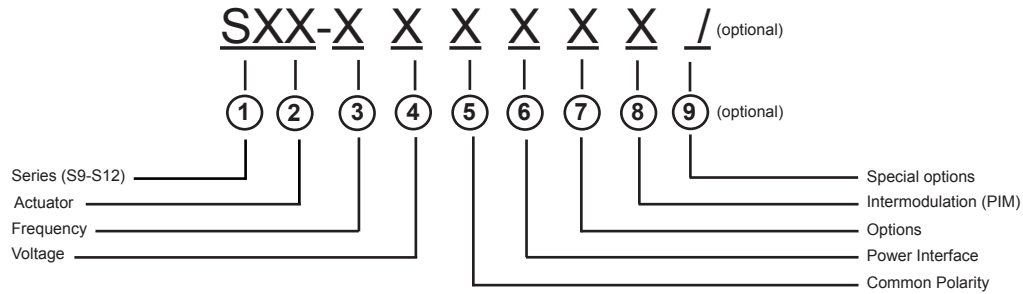
FREQUENCY: GHz	DC - 2.0	2.0 - 4.0	4.0 - 8.0	8.0 - 12.4	12.4 - 15.0
VSWR (MAX.)	1.25:1	1.30:1	1.35:1	1.60:1	1.70:1
INSERTION LOSS (MAX.)	0.20	0.25	0.30	0.60	0.70
ISOLATION (MIN.)	90	80	80	70	60
IMPEDANCE	50 Ohms				
MECHANICAL					
CONTACT ACTUATOR SWITCHING SPEED	:	BREAK BEFORE MAKE FAILSAFE, LATCHING, MOMENTARY 20 mSEC MAX.			
ELECTRICAL					
ACTUATOR VOLTAGE ACTUATOR CURRENT POWER HANDLING	:	28.0, 12.0, 15.0, 24.0 Vdc CONTACT CEI 200 WCW @ 1.0 GHz (STANDARD) 300 WCW @ 1.0 GHz (OPT. /P)			
ENVIRONMENTAL					
OPERATING TEMP SHOCK RANDOM VIBRATION LIFE	:	-40 DEG. C TO 85 DEG. C (STANDARD) -54 DEG. C TO 90 DEG. C (OPT. /MS) 50 G's (SAWTOOTH) 15 G'S rms (NON-OPERATING) 1,000,000 CYCLES			
FINISH					
RF CAVITY ENCLOSURE CONTACT CONNECTOR SHELL	:	ALUMINUM ELECTROLESS NICKEL PLATED PER MIL-C-26074, CLASS 4 (EXCEPT LOW OR ULTRA LOW IM MODELS) ALUMINUM, BLUE OR BLACK BERYLLIUM COPPER, GOLD PLATED PER MIL-G-45204 CRES, PASSIVATED PER QQ-P-35 OR BRASS, ELECTROLESS NICKEL PLATED PER MIL-C-26074			
AVAILABLE OPTIONS					
INDICATOR CIRCUITRY SUPPRESSION DIODE TTL LOGIC	:	CUT OFF POWER CIRCUIT D'SUB MINIATURE SERIES MS CONNECTOR OR EQUIV. (MIL-SPEC) LOW, ULTRA LOW, AND SUPERIOR INTERMODULATION (IM)			



NOTE: REFERENCE FOR DIMENSIONS ONLY. EACH MODEL NUMBER WILL HAVE A UNIQUE SCHEMATIC. ALSO AVAILABLE WITH A D'SUB OR MS SERIES CONNECTOR.



S9-S12 SERIES PART NUMBER & ORDERING INFORMATION

**1 - Switch Series**

S9	SP9T SMA
S10	SP10T SMA
S11	SP11T SMA
S12	SP12T SMA

2 - Actuator

F	FAILSAFE	R	MOMENTARY
G	FAILSAFE WITH SUPPRESSION DIODE	S	MOMENTARY WITH SUPPRESSION DIODE
H	FAILSAFE WITH INDICATOR	T	MOMENTARY WITH INDICATOR
J	FAILSAFE WITH SUPPRESSION DIODE AND INDICATOR	U	MOMENTARY WITH SUPPRESSION DIODE AND INDICATOR
L	LATCHING	Y	OTHER (SPECIFY)
M	LATCHING WITH SUPPRESSION DIODE		
N	LATCHING WITH INDICATOR		
P	LATCHING WITH SUPPRESSION DIODE AND INDICATOR		

3 - Frequency Bandwidth

1	DC - 13.0 GHz	6	DC - 6.0 GHz
2	DC - 2.0 GHz	0	OTHER (SPECIFY)
3	DC - 12.4 GHz		
4	DC - 4.0 GHz		
9	DC - 15.0 GHz		

4 - Voltage

1	10 - 14 Vdc (12.0 NOMINAL)	4	26 - 30 Vdc (28.0 NOMINAL)
2	13 - 17 Vdc (15.0 NOMINAL)	5	OTHER
3	22 - 26 Vdc (24.0 NOMINAL)	0	NOT REQUIRED

5 - Common Polarity

1	POSITIVE (+) COMMON
2	NEGATIVE (-) OR RETURN Vdc COMMON
0	NOT REQUIRED

6 - Power Interface

1	SOLDER TERMINAL (TOP OF SWITCH)	5	D' SUB MINIATURE SERIES (TOP OF SWITCH)
3	CONN MS3112E-XX-XXP OR EQUIV. (TOP OF SWITCH)	8	OTHER

7 - Options

1	CUT OFF POWER CIRCUIT (LATCHING ONLY)	8	OTHER (SPECIFY)
2	TTL LOGIC	9	CUSTOM (ORDER)
3	CUT OFF PWR CIRCUIT & TTL LOGIC (LATCHING ONLY)	0	NO OTHER OPTIONS REQUIRED

8 - Intermodulation

7	LOW PASSIVE INTERMODULATION	9	ULTRA LOW PASSIVE INTERMODULATION
8	SUPERIOR PASSIVE INTERMODULATION	0	STANDARD SWITCH

9 - Special Options (optional - leave blank if not required)

/P	HIGH TEMP, HIGH POWER CONNECTOR
/MS	EXTENDED TEMP RANGE -54 DEG C TO + 90 DEG
/MSP	HIGH TEMP, HIGH POWER CONNECTOR AND EXTENDED TEMP RANGE