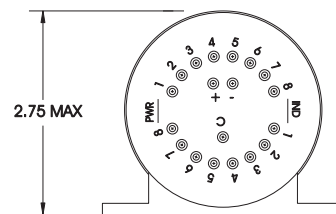
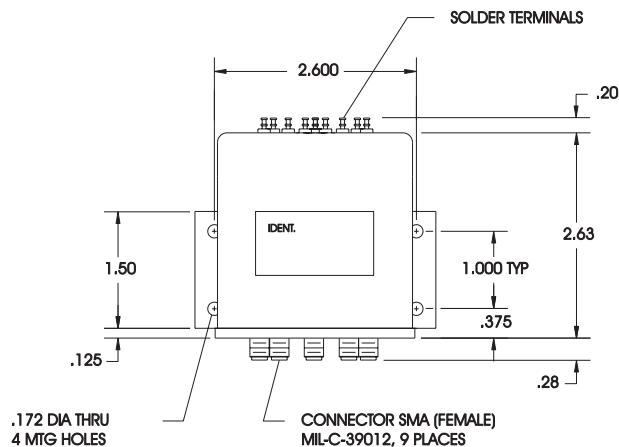


# O8 SERIES SP8T DC - 18.0 GHz

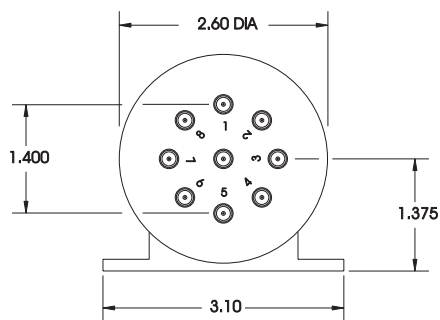
**OPEN PORTS TERMINATED  
& MOUNTING BRACKET**



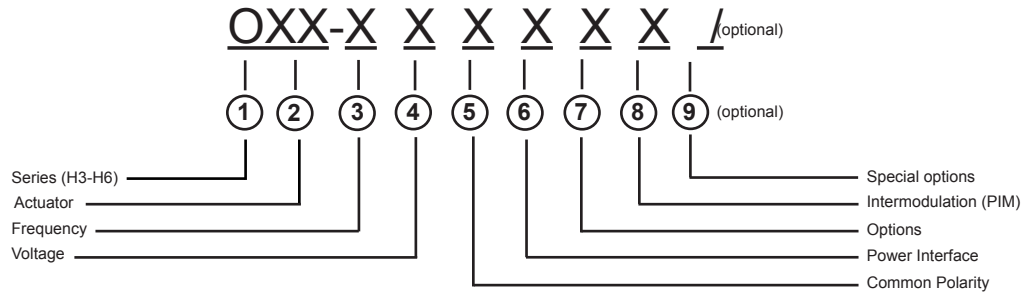
<b>FREQUENCY:</b> GHz	DC - 2.0	2.0 - 4.0	4.0 - 8.0	8.0 - 12.4	12.4 - 18.0
	<b>VSWR (MAX.)</b>				
	1.20:1	1.25:1	1.30:1	1.40:1	1.50:1
	<b>INSERTION LOSS (MAX.)</b>				
	0.20	0.25	0.30	0.40	0.50
<b>ISOLATION (MIN.)</b>					
90	80	80	70	60	
<b>IMPEDANCE</b>					
50 Ohms					
<b>MECHANICAL</b>					
CONTACT		: BREAK BEFORE MAKE			
ACTUATOR		: FAILSAFE, LATCHING, MOMENTARY			
SWITCHING SPEED		: 20 mSEC MAX.			
<b>ELECTRICAL</b>					
ACTUATOR VOLTAGE		: 28.0, 24.0, 15.0, 12.0 Vdc			
ACTUATOR CURRENT		: SEE TABLE			
POWER HANDLING		: 200 WCW @ 1.0 GHz (STANDARD)			
		: 300 WCW @ 1.0 GHz (OPT. /P)			
TERMINATION		: 8 WATTS MAX.			
<b>ENVIRONMENTAL</b>					
OPERATING TEMP		: -30 DEG. C TO 80 DEG. C (STANDARD)			
SHOCK		: 50 G's (SAWTOOTH)			
RANDOM VIBRATION		: 15 G's rms (NON-OPERATING)			
LIFE		: 1,000,000 CYCLES			
<b>FINISH</b>					
RF CAVITY		: ALUMINUM ELECTROLESS NICKEL PLATED PER MIL-C-26074, CLASS 4 (EXCEPT ULTRA LOW OR SUP. IM MODELS)			
ENCLOSURE		: ALUMINUM, BLUE			
CONTACT		: BERYLLIUM COPPER, GOLD PLATED PER MIL-G-45204			
CONNECTOR SHELL		: CRES, PASSIVATED PER QQ-P-35 OR BRASS, ELECTROLESS NICKEL PLATED PER MIL-C-26074			
<b>AVAILABLE OPTIONS</b>					
INDICATOR CIRCUITRY		: CUT OFF POWER CIRCUIT			
SUPPRESSION DIODE		: D' SUB MINIATURE SERIES			
TTL LOGIC		: CUSTOM DESIGNS			
LOW, ULTRA LOW, OR SUPERIOR INTERMODULATION (IM)					



NOTE: SWITCH SHOWN WITH INDICATOR OPTION



## 07-08 SERIES PART NUMBER &amp; ORDERING INFORMATION

**1 - Switch Series**

O7 SP7T TERMINATED SMA  
 O8 SP8T TERMINATED SMA

**2 - Actuator**

F	FAILSAFE	R	MOMENTARY
G	FAILSAFE WITH SUPPRESSION DIODE	S	MOMENTARY WITH SUPPRESSION DIODE
H	FAILSAFE WITH INDICATOR	T	MOMENTARY WITH INDICATOR
J	FAILSAFE WITH SUPPRESSION DIODE AND INDICATOR	U	MOMENTARY WITH SUPPRESSION DIODE AND INDICATOR
L	LATCHING	Y	OTHER (SPECIFY)
M	LATCHING WITH SUPPRESSION DIODE		
N	LATCHING WITH INDICATOR		
P	LATCHING WITH SUPPRESSION DIODE AND INDICATOR		

**3 - Frequency Bandwidth**

1	DC - 13.0 GHz	6	DC - 6.0 GHz
2	DC - 2.0 GHz	8	DC - 20.0 GHz
3	DC - 12.4 GHz	0	OTHER (SPECIFY)
4	DC - 4.0 GHz		
5	DC - 18.0 GHz		

**4 - Voltage**

1	10 - 14 Vdc (12.0 NOMINAL)	4	24 - 32 Vdc (28.0 NOMINAL)
2	13 - 18 Vdc (15.0 NOMINAL)	5	OTHER
3	20 - 30 Vdc (24.0 NOMINAL)	0	NOT REQUIRED

**5 - Common Polarity**

1	POSITIVE (+) COMMON
2	NEGATIVE (-) OR RETURN Vdc COMMON
0	NOT REQUIRED

**6 - Power Interface**

1	SOLDER TERMINAL (TOP OF SWITCH)	5	D' SUB MINIATURE SERIES (TOP OF SWITCH)
3	CONN MS3112E-XX-XXP OR EQUIV. (TOP OF SWITCH)	8	OTHER

**7 - Options**

1	CUT OFF POWER CIRCUIT (LATCHING ONLY)	8	OTHER (SPECIFY)
2	TTL LOGIC	9	CUSTOM (ORDER)
3	CUT OFF PWR CIRCUIT & TTL LOGIC (LATCHING ONLY)	0	NO OTHER OPTIONS REQUIRED

**8 - Intermodulation**

7	LOW PASSIVE INTERMODULATION	9	ULTRA LOW PASSIVE INTERMODULATION
8	SUPERIOR PASSIVE INTERMODULATION	0	STANDARD SWITCH

**9 - Special Options (optional - leave blank if not required)**

/P	HIGH TEMP, HIGH POWER CONNECTOR
----	---------------------------------