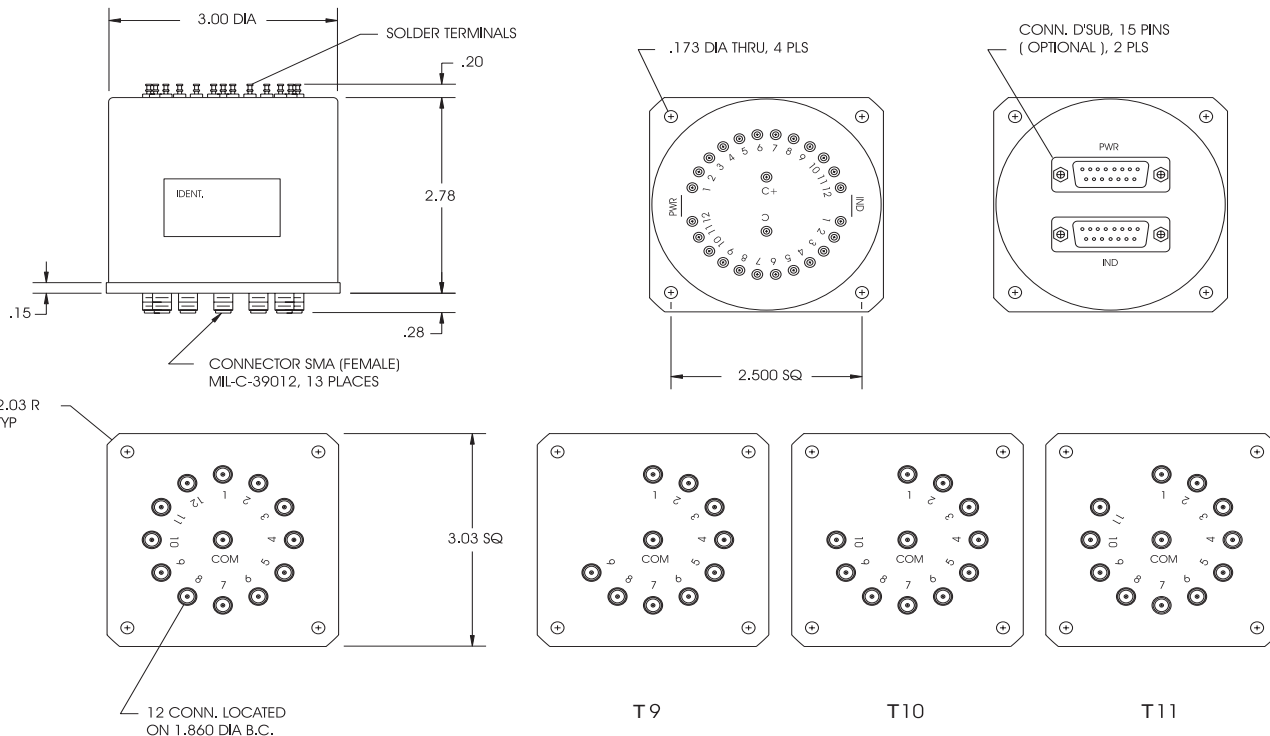


T9 - T12 SERIES SP9T - SP12T DC - 15.0 GHz

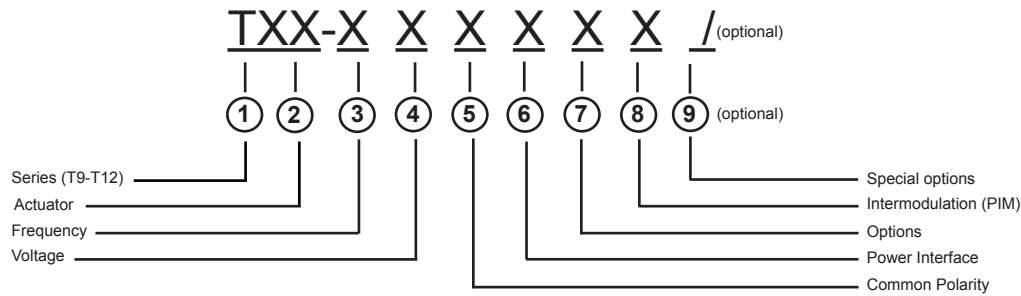
OPEN PORTS TERMINATED



FREQUENCY: GHz	DC - 2.0	2.0 - 4.0	4.0 - 8.0	8.0 - 12.4	12.4 - 15.0
VSWR (MAX.)	1.20:1	1.25:1	1.40:1	1.60:1	1.70:1
INSERTION LOSS (MAX.)	0.20	0.25	0.40	0.60	0.70
ISOLATION (MIN.)	90	80	70	60	60
IMPEDANCE	50 Ohms				
MECHANICAL					
CONTACT ACTUATOR SWITCHING SPEED	BREAK BEFORE MAKE FAILSAFE, LATCHING, MOMENTARY 20 mSEC MAX.				
ELECTRICAL					
ACTUATOR VOLTAGE ACTUATOR CURRENT POWER HANDLING TERMINATION	28.0, 12.0, 15.0, 24.0 Vdc CONTACT CEI 200 WCW @ 1.0 GHz (STANDARD) 300 WCW @ 1.0 GHz (OPT /P) 8 WATTS MAX.				
ENVIRONMENTAL					
OPERATING TEMP SHOCK RANDOM VIBRATION LIFE	-30 DEG. C TO 80 DEG. C 50 G's (SAWTOOTH) 15 G's rms (NON-OPERATING) 1,000,000 CYCLES				
FINISH					
RF CAVITY ENCLOSURE CONTACT CONNECTOR SHELL	ALUMINUM ELECTROLESS NICKEL PLATED PER MIL-C-26074, CLASS 4 (EXCEPT LOW OR ULTRA LOW IM MODELS) ALUMINUM, BLUE OR BLACK BERYLLIUM COPPER, GOLD PLATED PER MIL-G-45204 CRES, PASSIVATED PER QQ-P-35 OR BRASS, ELECTROLESS NICKEL PLATED PER MIL-C-26074				
AVAILABLE OPTIONS					
INDICATOR CIRCUITRY SUPPRESSION DIODE TTL LOGIC BCD TTL DECODER	CUT OFF POWER CIRCUIT D'SUB MINIATURE SERIES MS CONNECTOR OR EQUIV. (MIL-SPEC) LOW, ULTRA, AND SUP INTERMODULATION (IM)				



T9-T12 SERIES PART NUMBER & ORDERING INFORMATION

**1 - Switch Series**

T9	SP9T TERMINATED SMA
T10	SP10T TERMINATED SMA
T11	SP11T TERMINATED SMA
T12	SP12T TERMINATED SMA

2 - Actuator

F	FAILSAFE	R	MOMENTARY
G	FAILSAFE WITH SUPPRESSION DIODE	S	MOMENTARY WITH SUPPRESSION DIODE
H	FAILSAFE WITH INDICATOR	T	MOMENTARY WITH INDICATOR
J	FAILSAFE WITH SUPPRESSION DIODE AND INDICATOR	U	MOMENTARY WITH SUPPRESSION DIODE AND INDICATOR
L	LATCHING	Y	OTHER (SPECIFY)
M	LATCHING WITH SUPPRESSION DIODE		
N	LATCHING WITH INDICATOR		
P	LATCHING WITH SUPPRESSION DIODE AND INDICATOR		

3 - Frequency Bandwidth

1	DC - 13.0 GHz	6	DC - 6.0 GHz
2	DC - 2.0 GHz	0	OTHER (SPECIFY)
3	DC - 12.4 GHz		
4	DC - 4.0 GHz		
9	DC - 15.0 GHz		

4 - Voltage

1	10 - 14 Vdc (12.0 NOMINAL)	4	24 - 32 Vdc (28.0 NOMINAL)
2	13 - 18 Vdc (15.0 NOMINAL)	5	OTHER
3	20 - 30 Vdc (24.0 NOMINAL)	0	NOT REQUIRED

5 - Common Polarity

1	POSITIVE (+) COMMON
2	NEGATIVE (-) OR RETURN V _{dc} COMMON
0	NOT REQUIRED

6 - Power Interface

1	SOLDER TERMINAL (TOP OF SWITCH)	5	D' SUB MINIATURE SERIES (TOP OF SWITCH)
3	CONN MS3112E-XX-XXP OR EQUIV. (TOP OF SWITCH)	8	OTHER

7 - Options

1	CUT OFF POWER CIRCUIT (LATCHING ONLY)	8	OTHER (SPECIFY)
2	TTL LOGIC	9	CUSTOM (ORDER)
3	CUT OFF PWR CIRCUIT & TTL LOGIC (LATCHING ONLY)	0	NO OTHER OPTIONS REQUIRED
4	BCD TTL DECODER		

8 - Intermodulation

7	LOW PASSIVE INTERMODULATION	9	ULTRA LOW PASSIVE INTERMODULATION
8	SUPERIOR PASSIVE INTERMODULATION	0	STANDARD SWITCH

9 - Special Options (optional - leave blank if not required)

/P	HIGH TEMP, HIGH POWER CONNECTOR
----	---------------------------------


CHARTER ENGINEERING, INC.

 INTERNET: <http://www.ceiswitches.com>

 EMAIL: sales@ceiswitches.com